



The technical specifications might not be congruent.

- NESA...05 (S1) series
- NENUTEC spring return damper actuators are especially designed and produced for applications in the HVAC systems.
- Our wide range of NENUTEC spring return damper actuators has been developed to operate and position air dampers of different sizes that perform safety functions.

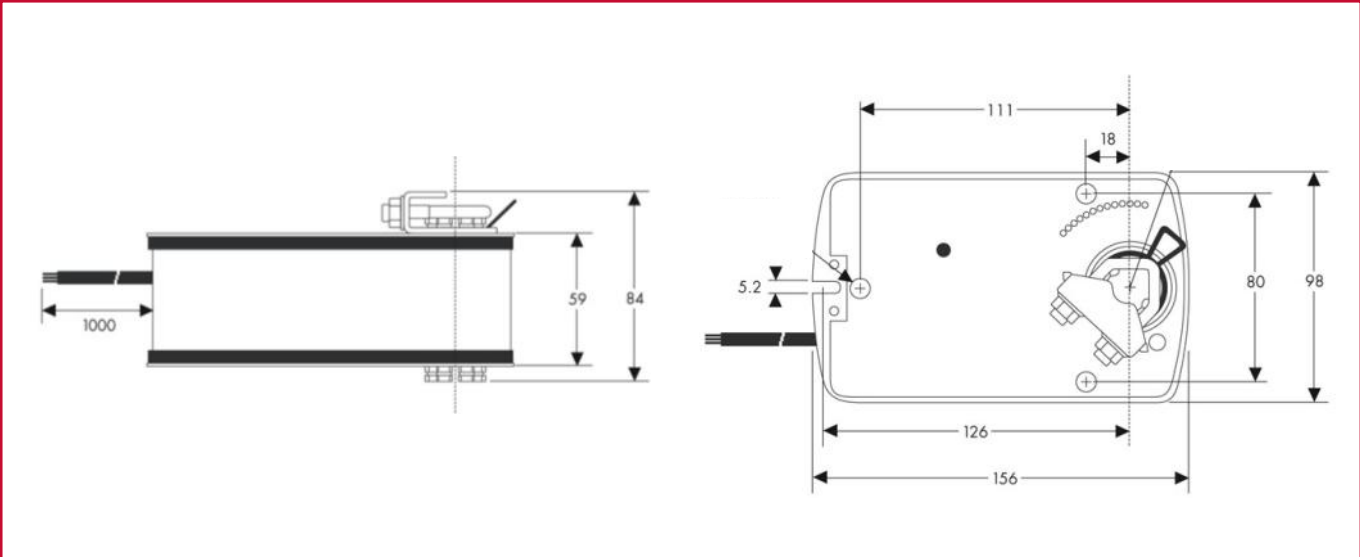
Product Features

- Torque 5 Nm
- Damper size 1.0 m²
- Power Supply AC/DC 24 V and AC 230 V
- Control 2 Point
- 1 adjustable auxiliary switch (SPDT)
- Shaft dimensions
Ø 10 to 16 mm round / □ 7 to 12 mm square
- Minimum shaft length 80 mm
- Selectable direction of rotation
- Adjustable angle of rotation
- Actuator with 1000 mm cable connection
- Customer version on request

Model Selection Table

Torque	Running Time	Power Supply	Auxiliary Switch	Model / Type
5 Nm	Ⓜ 50...70 sec / Ⓢ ≤ 20 sec	AC/DC 24 V ± 10%	No	NESA-05
5 Nm	Ⓜ 50...70 sec / Ⓢ ≤ 20 sec	AC/DC 24 V ± 10%	1 x SPDT	NESA24-05 S1
5 Nm	Ⓜ 50...70 sec / Ⓢ ≤ 20 sec	AC 230 V ± 10%	No	NESA230-05
5 Nm	Ⓜ 50...70 sec / Ⓢ ≤ 20 sec	AC 230 V ± 10%	1 x SPDT	NESA230-05 S1

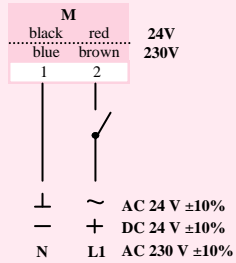
Actuator Dimensions (mm)



Technical Specifications

	NESA24...(S1)	NESA230...(S1)
Torque M	5 Nm	5 Nm
C	5 Nm	5 Nm
Damper Size	1.0 m ²	1.0 m ²
Shaft dimensions	Ø 10 to 16 mm round / □ 7 to 12 mm square	Ø 10 to 16 mm round / □ 7 to 12 mm square
Power Supply	AC/DC 24 V ± 10%	AC 230 V ± 10%
Frequency	50 - 60 Hz	50 - 60 Hz
Control Signal	2 point	2 point
Power Consumption		
- Operating	7.2 W	4.2 W
- End Position	2.5 W	2.5 W
For Wire Sizing	10.0 VA	10.0 VA
Auxiliary Switch Rating	3 (1.5) A, AC 250 V	3 (1.5) A, AC 250 V
Protection Class	III III	II II
Angle of Rotation	0°...90° (-5°...90° mechanical)	0°...90° (-5°...90° mechanical)
Angle of Limiting	0°...45° / 45°...90°	0°...45° / 45°...90°
Weight	1.8 Kg	1.9 Kg
Life Cycle	60'000 rotation	60'000 rotation
Sound Level	45 dB (A)	45 dB (A)
IP Protection	IP 54 (dust protected & protected against splash water)	IP 54 (dust protected & protected against splash water)
Operating Temperature	-20°...+50° C / IEC 721-3-3	-20°...+50° C / IEC 721-3-3
Non-Operating Temperature	-30°...+70° C / IEC 721-3-3	-30°...+70° C / IEC 721-3-3
Ambient Humidity	5%...95% rH non condensing / EN 60730-1	5%...95% rH non condensing / EN 60730-1
Maintenance	Maintenance free	Maintenance free
Mode of Operation	Type I / EN 60730-1	Type I / EN 60730-1
EMC	CE according to 89 / 336 / EEC	CE according to 89 / 336 / EEC

Wiring Diagram NESA24/230...(S1) Power Supply AC/DC 24 V - AC 230 V



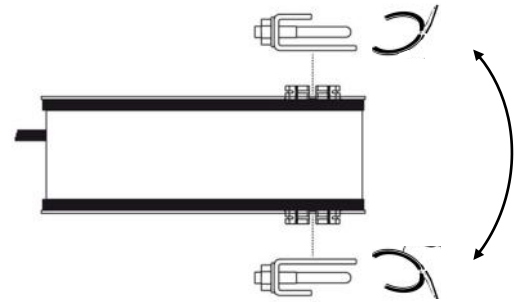
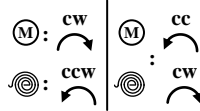
2 Point

⚠ Connect via safety isolating trans-

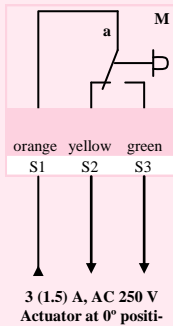
Changing Direction of Rotation NESA24/230...(S1)

Factory-set CW!

The direction of rotation can be defined dependently on the assembly of the shaft adapter inclusive adapter ring. Important remark:



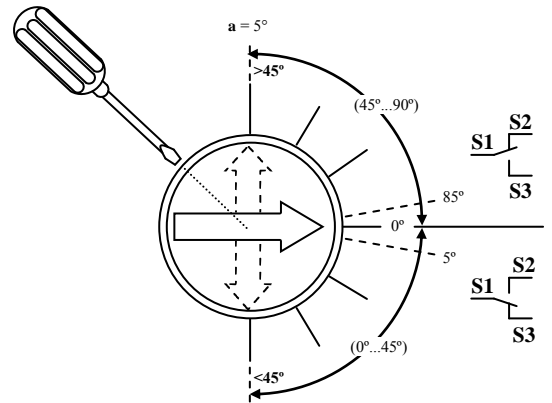
Wiring Diagram NE4SA24/230...(S1) Auxiliary Switch



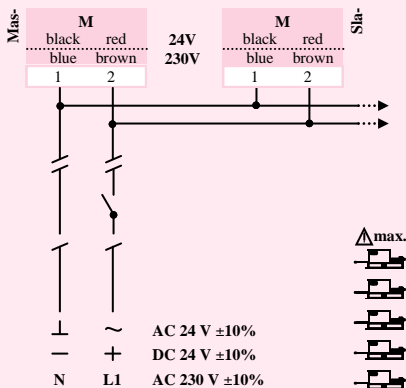
Adjustment of Auxiliary Switch NESA24/230...(S1)

Switch a factory-set at 5°

The auxiliary switch can be optimally adjusted between 0°...90°.



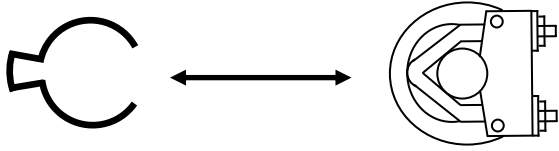
Wiring Diagram NESA24/230...(S1) Parallel Connection



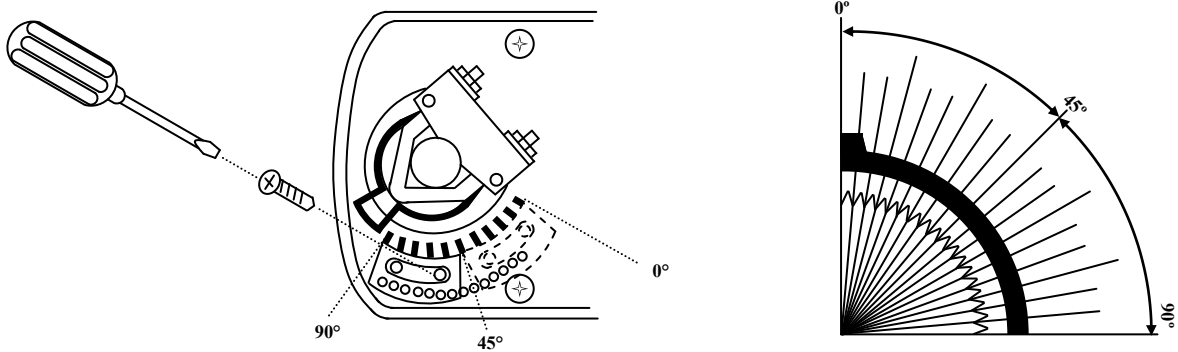
Remark

Parallel connection of several NESA...(S1) actuators is possible. The power consumption must be observed.

Releasing the Adapter NESA24/230...(S1)



Limiting Angle of Rotation NESA24/230...(S1)



OEM Customised Version on Request

NENUTEC offers you actuators in customised versions, e.g. with your own brand name, with colour-coordinated applications and with your particular demand. Please contact us for further information.

Important Remark

Consult NENUTEC representatives for specific requirements and material selections for your intended application.



This actuator includes electrical and electronic components and may not be disposed as household garbage. Please consider the local valid legislation.



AC / DC 24 V: Connect via safety isolating transformer.
 AC 230 V: To isolate from the main power supply, the system must incorporate a device which disconnects the phase conductor (with at least a 3 mm contact gap).



Schachenstrasse 80
 CH - 8645 Jona/SG - Switzerland
 T: +41 55 224 40 60
 F: +41 55 224 40 69
 E-Mail: info@nenutec.ch
 Internet: www.nenutec.com