

Thermal control

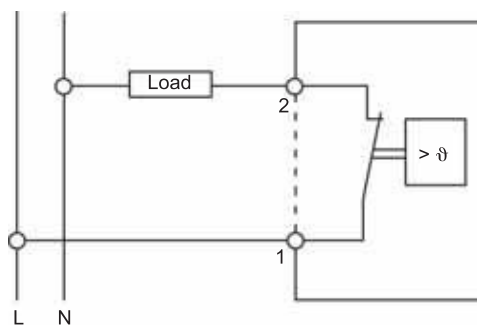
Thermostat with NC contact



- Thermostat with NC contact to control the stopping of a resistance heater when the temperature exceeds the displayed value.
- This considerably lengthens the service life of the resistance heaters since they are used less frequently.
- Protection rating: IP 20.
- PC plastic material, self-extinguishing according to standard UL94 V0.
- Temperature adjustment range: 0...+60 °C
- Connection: four 2.5-mm² terminals.
- Multiple fixing systems.
- UL certification.

Display	Max. command I.	Reference
°C	10 A 250 V	NSYCCOTHC
°F	10 A 250 V	NSYCCOTHCF

Technical features	
Sensor element	Bimetal
Contact	NC, forced rupture
Contact resistance	< 10 m Ω
Service life	> 100000 cycles
Switching capacity	250 V AC; 10 A (resistive load)
	120 V AC; 15 A (resistive load)
	250 V AC/120 V AC 2 A (inductive load cos φ = 0.6)
Connection	Four 2.5-mm ² terminals
Mounting	By clip on 35-mm DIN rail
Enclosure	UL94 V0 plastic, light grey
Dimensions	60 × 33 × 43 mm
Weight	40 g
Mounting position	Indifferent
Operating temperature	-20...+80 °C (-4...+176 °F)
Protection rating	IP 20
Hysteresis	7 °K
Temperature setting range	0...+60 °C



Load = resistance